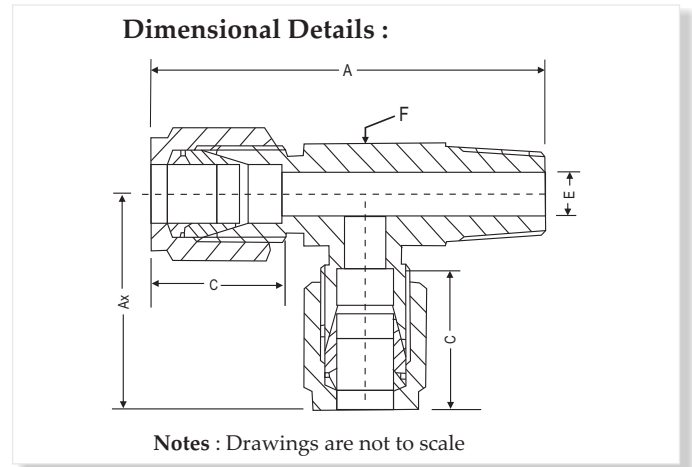


MALE RUN TEE



Dimension, in.

Tube OD	NPT Male Thread Size	Part Number	A	Ax	C	E	F
1/8	1/8	K2TMR2N	1.63	0.93	0.50	0.09	7/16
1/8	1/4	K2TMR4N	1.89	0.97	0.50	0.09	1/2
1/4	1/8	K4TMR2N	1.80	1.06	0.60	0.19	1/2
1/4	1/4	K4TMR4N	1.98	1.06	0.60	0.19	1/2
3/8	1/4	K6TMR4N	2.20	1.20	0.66	0.28	5/8
3/8	3/8	K6TMR6N	2.42	1.31	0.66	0.28	13/16
1/2	3/8	K8TMR6N	2.53	1.42	0.90	0.38	13/16
1/2	1/2	K8TMR8N	2.72	1.42	0.90	0.41	13/16
3/4	3/4	K12TMR12N	3.02	1.57	0.90	0.62	1 1/16

Dimension, mm.

Tube OD	NPT Male Thread Size	Part Number	A	Ax	C	E	F in
6	1/8	KM6TMR2N	45.8	27.0	15.3	4.8	1/2
6	1/4	KM6TMR4N	50.3	27.0	15.3	4.8	1/2
8	1/4	KM8TMR4N	55.3	29.9	16.2	6.4	5/8
12	1/4	KM12TMR4N	64.2	36.0	22.8	7.1	13/16
12	1/2	KM12TMR8N	69.0	36.0	22.8	9.5	13/16
16	1/2	KM16TMR8N	73.1	38.0	24.4	11.9	15/16

Note:

- A and C dimensions are typical finger-tight

Dimensions and specifications shown are approximate, may vary from time to time.

Ventil tube fittings are ordered by part numbers as listed in this catalogue and other sizes will be available on request.